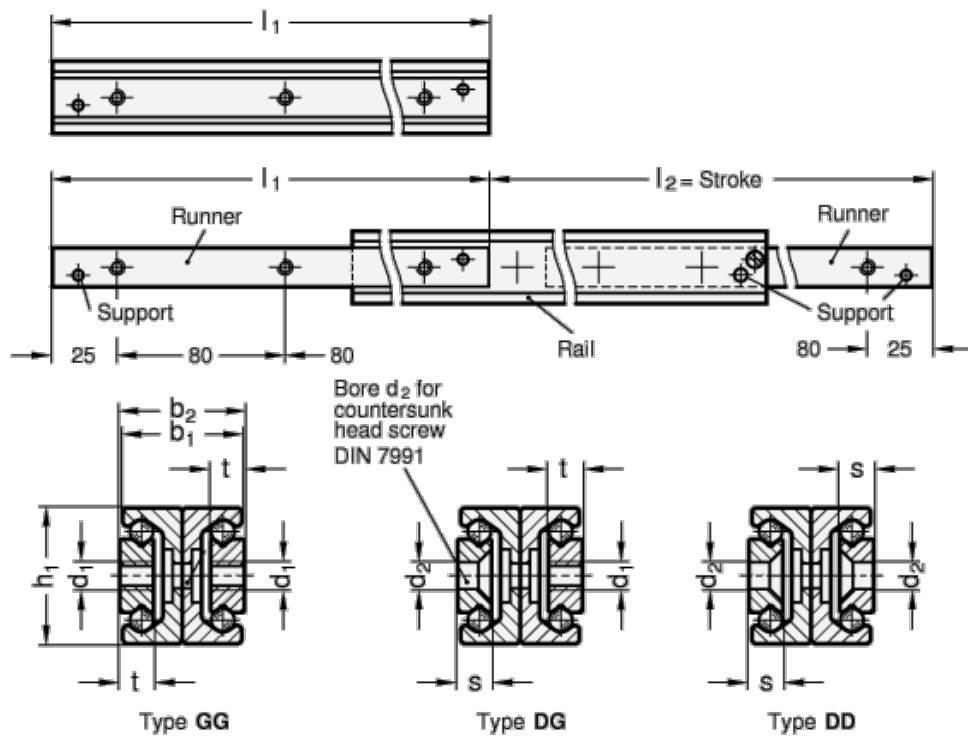


Article number: 20240835610DD

Description: E+G Telescope-Lear motion bearings GN 2408-35-610-DD

Measures



$b_1 = 33$
 $b_2 = 34$
 $d_1 =$
 $d_2 = 6.5$
 $h_1 = 35$
 $L_1 = 610 - 464$
 $s = 3.5$
 $t =$

Weight in (g) = 3720